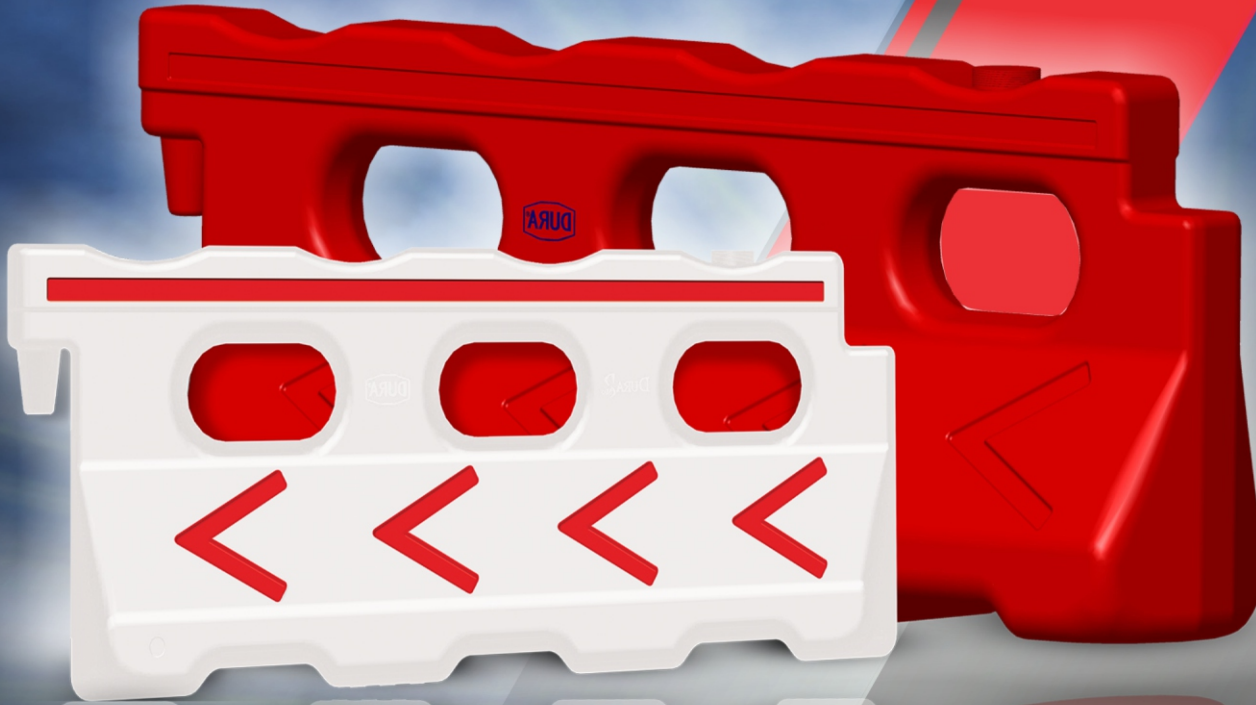


Keep Yourself Healthy[®]
DURA **MAX**



A Product of **DURA**[®] Group
WATER TANKS



ROAD BARRIER
Drive Safely

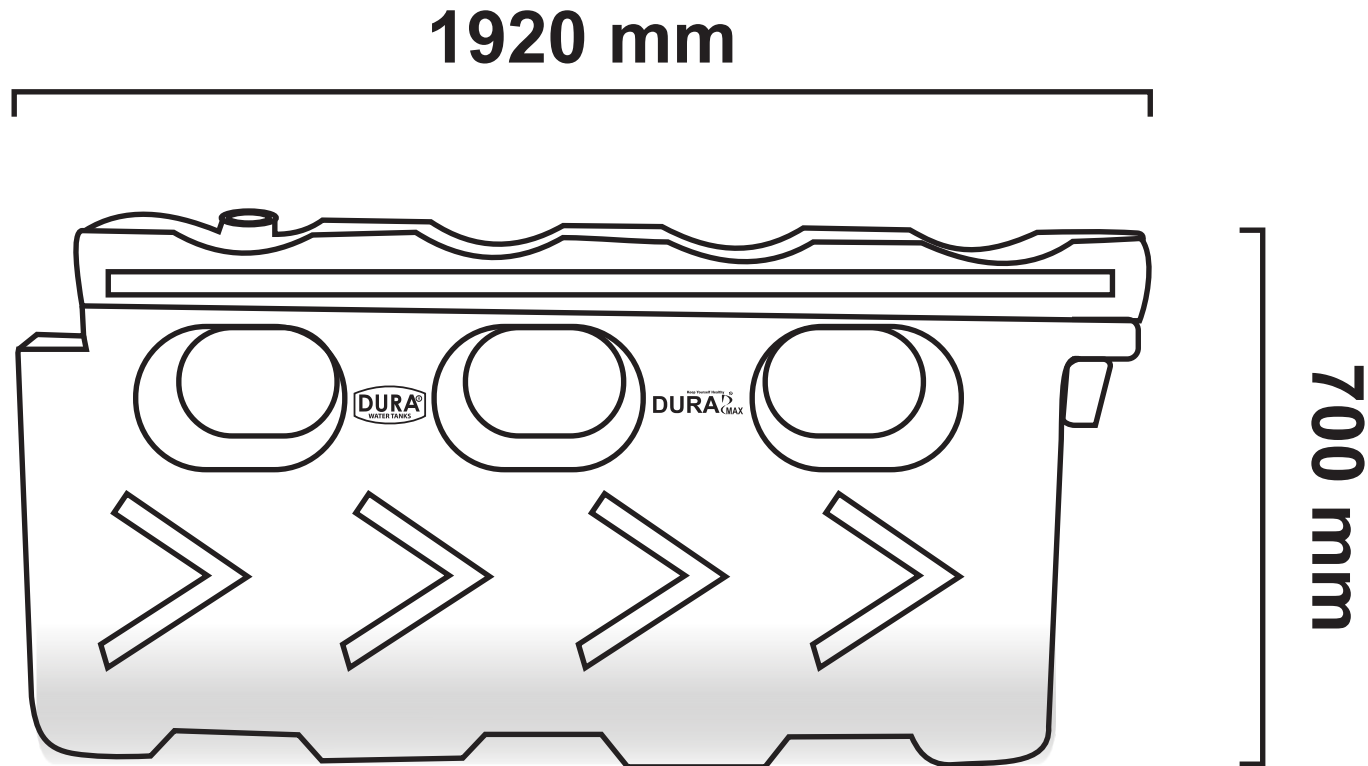
اب رہو بے فکر

**Road Safety Barriers Reducing
Allow The Number Of Road
Traffic Accidents**

*“The heart and soul of the
company is creativity
and innovation”*

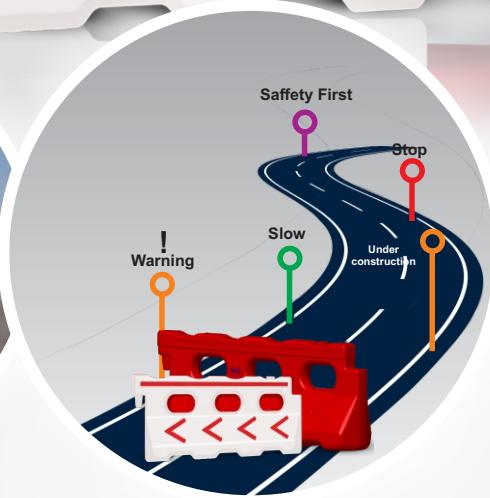
Road Barrier Dimensions


Lenght	Height	Top Width	Bottom Width
1920 mm	700 mm	150 mm	400 mm




ROAD BARRIER

اب رھو بے فکر



 DuraMax



 DuraMax pk



More information call us
+ 042-35923211-15, 042-37133111

ORDER NOW

www.duramax.pk
VISIT OUR WEBSITE 

Road Barrier

An efficient road barrier and the controlling system has become the need of the hour these days. With an increasing number of vehicles in populated areas such as offices, hospitals, public places and residential premises, road security barrier solutions are developed to ease the parking issues, control the speed, divert traffic, management of the lane, highlight construction zones, and work as lane/road dividers.

SAFETY BENEFITS OF USING ROAD DIVIDER

1. An increase in the number of vehicles has led to a subsequent risk of road hazards in the form of accidents. Road traffic deaths have increased over the years. It is crucial to manage traffic efficiently to avoid deaths or injuries caused to due road accidents.
2. Road dividers are used to separate the directions of traffic, manage lanes, control the speed of traffic, and alert motorists of any nearby construction site.
3. They also protect from traffic congestion in case of an accident on either side of the road.
4. Dynamically designed by experts in road safety standards, road dividers manufactured by the Shetal Group are amongst the best products in the country. The dividers are strong, durable, impact-resistant and affordable.

Keep Yourself Healthy[®]
DURA MAX

FEATURES:

- Non Fading Color
- UV Stable
- Good Weather Resistance
- 100% Interlocking
- Reflective Stickers For Day and Night Visibility
- Fork Lift Entry Provision
- Absorbs Whole Energy of Collision As Water
- Inside Takes The Impact
- Drain Plug To Vent Out Water
- Light In Weight For Easy Handling
- Durable
- Corrosion Resistant
- Eco Friendly & Reusable